

Instr. Number: 23-4123
 BK: 2023 PG: 4123
 Recorded: 10/3/2023 at 9:35:12.0 AM
 County Recording Fee: \$7.00
 Iowa E-Filing Fee: \$3.00
 Combined Fee: \$10.00
 Revenue Tax:
 NAOMI ELLIS, RECORDER
 Marion County, Iowa

RETURN TO: DANIELS LAND SURVEYING, 22470 18TH LANE, NEW VIRGINIA IA 50210 (515) 577-2583

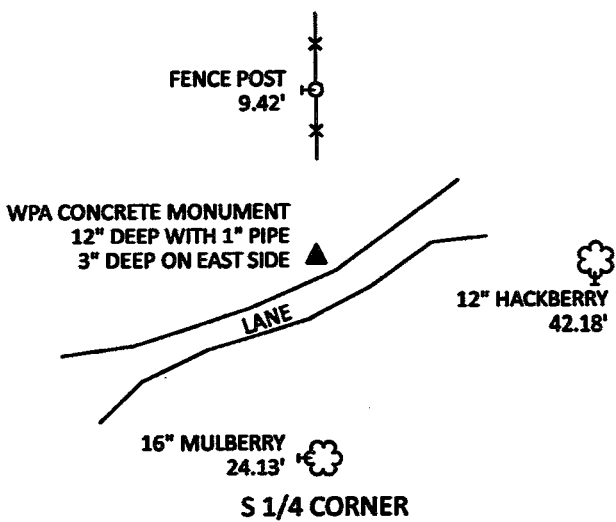
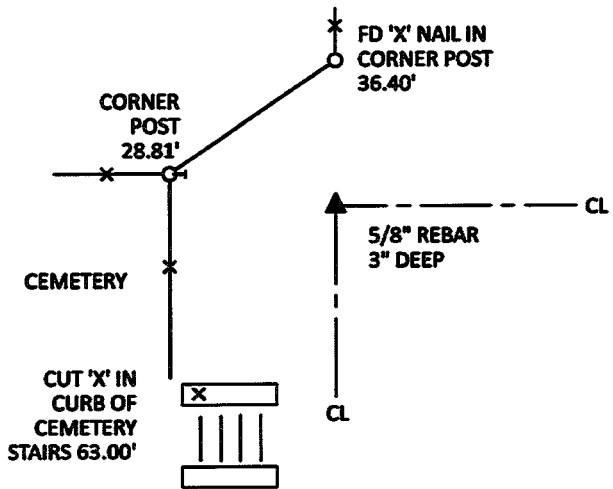
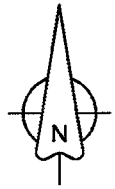
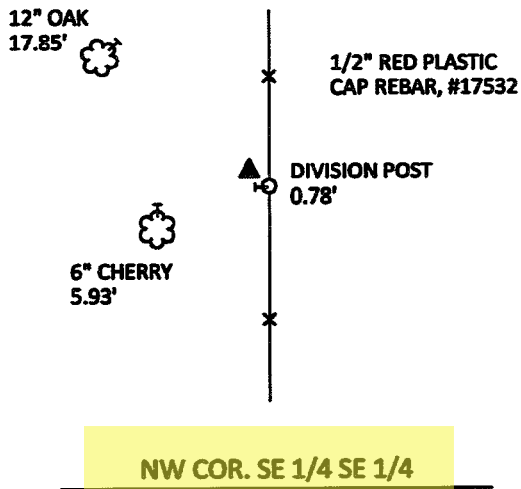
UNITED STATES PUBLIC LAND CORNER CERTIFICATE

Land Survey Monuments in Section 20, Township 75 North, Range 20 West of the 5th P.M., Marion County, Iowa.
 Previously recorded in N.A. in the County Recorder's Office

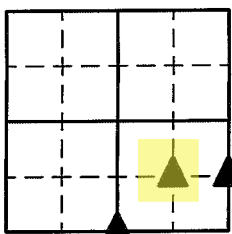
MONUMENT DESCRIPTIONS AND REMARKS:

NW COR. SE 1/4 SE 1/4 - Accepted division post as corner.
 NE COR. SE 1/4 SE 1/4 - Found 5/8" rebar from County Engineer records. Re-tied same.
 S 1/4 CORNER - Found WPA Concrete monument with 1" pipe on East side. All ties were missing. Re-tied same.

PLAN VIEW



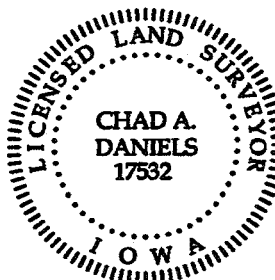
ALL TIES TO RING SHANK NAILS UNLESS NOTED



Section Number:

20

Project Number: 2139



I hereby certify that this surveying document was prepared by me and the related survey work was performed by me or under my direct personal supervision and that I am a duly licensed Professional Land Surveyor under the laws of the State of Iowa.

Signed *Chad A. Daniels* Date 28 SEP 23
 Chad A. Daniels

Iowa License No. 17532
 My license renewal date is 12-31-2024