

KAREN SCHWANEBECK, RECORDER
MARION COUNTY IOWA

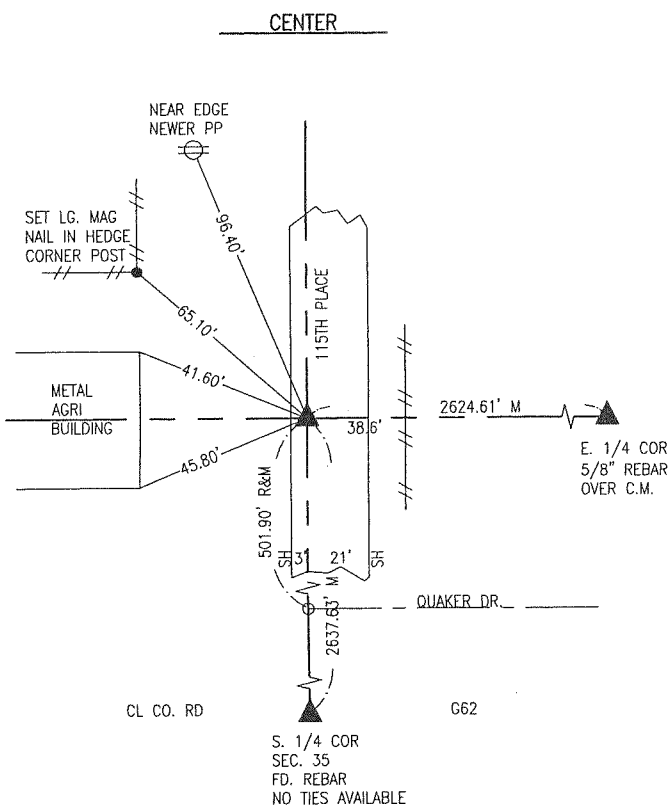
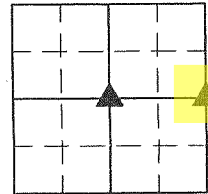


GARDEN & ASSOC. P.O. Box 451, Oskaloosa, Iowa 52577-0451 Phone: (641)672-2526

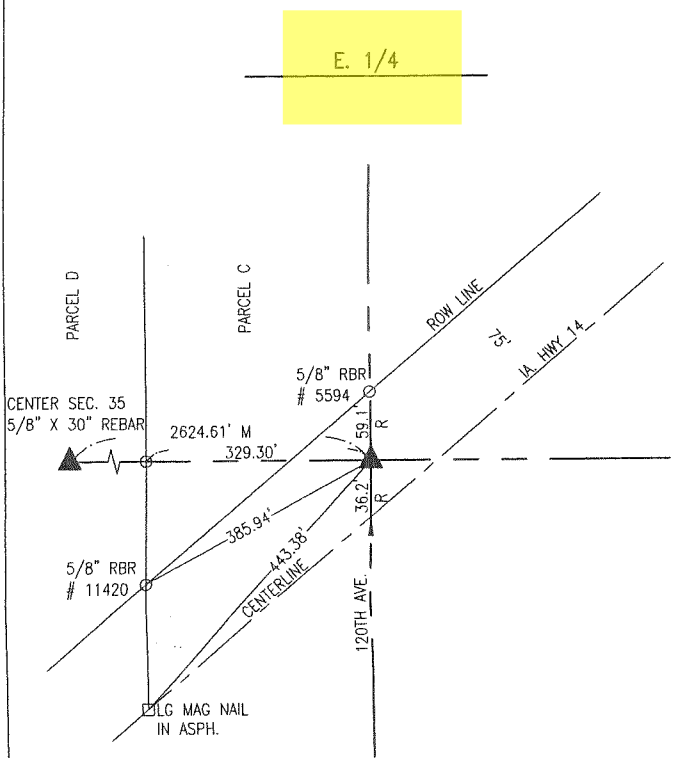
UNITED STATES PUBLIC LAND SURVEY CORNER CERTIFICATE

OF

Land Survey Monuments situated in Section 35, Township 75, Range 20, of the Fifth Principal Meridian, MARION County, Iowa. Previously recorded in N/A in County Recorder's Office. Monument Description and Remarks: SEE BELOW



AT CENTER SECTION 35 WE FOUND THE 1/2" REBAR INSIDE A 1-1/2" PIPE (ONLY 10" +- LONG) REBAR BENT AND PIPE LEANING SOUTH STRAIGHTEN TO FIT TIES THEN DECIDED TO REPLACE WITH A NEW 5/8" X 30" REBAR W/ CAP # 11420 0.5' DEEP.



FOUND 5/8" X 12" REBAR W/ CAP# 5594 ABOVE CONC. MONU. WE SET A 5/8" X 15" REBAR 0.3' DEEP ABOVE THE EXISTING REBAR. WE PROBED DOWN BELOW EXISTING REBAR AND HIT C.M.

I hereby certify that this land surveying document was prepared and the related survey work was performed by me or under my direct personal supervision and that I am a duly licensed Professional Land Surveyor under the laws of the State of Iowa.

Gary Wayne Keith 9 April 2015
Gary Wayne Keith, P.L.S. Date
License number: 11420
My license renewal date is December 31, 2016

SEAL



List Corners to be Indexed			
Corners	Section	Township	Range
CENTER	35	75	20
E. 1/4	35	75	20

PLS CHECK - Ref Co & A end

W 1/4 CORNER OF SECTION 36, T 75 N, R 20 W, OF THE 5TH, P.M.

CORNER NOW MARKED WITH

6x6 CONC. MONY. WITH BRONZE CAP

CORNER WAS REFERENCED BY

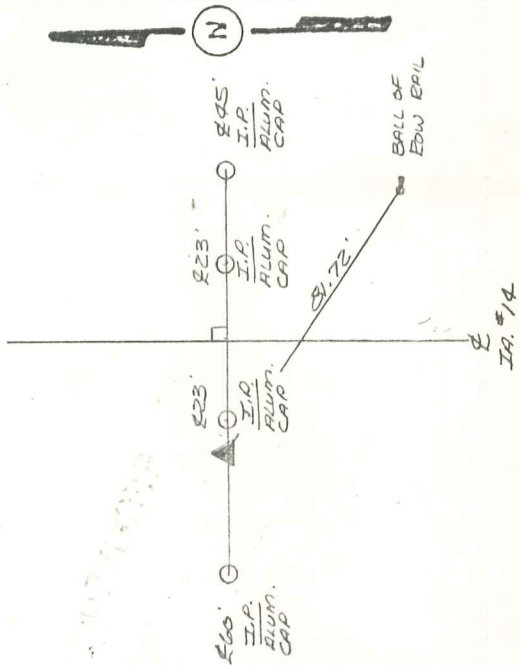
JOHN GARDNER CASEY

RANDY BROTHEEON

ON JULY 25 1985

CORNER STONE IS 28.60'

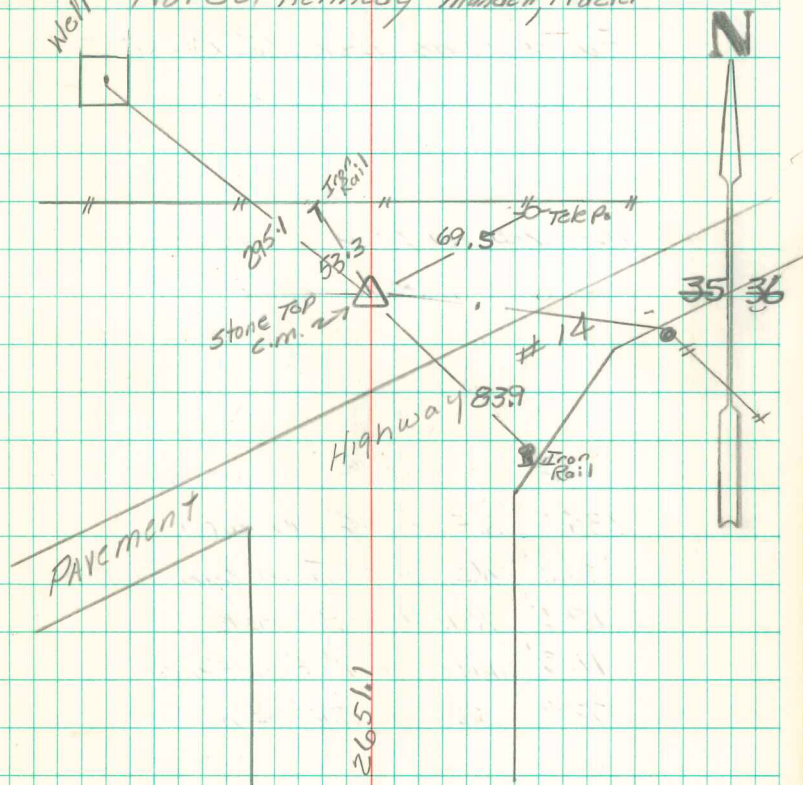
T. OF STA. 948+57.70



E 1/4 Cor Sec 35-75-20

Set: 12-3-41

Notes: Kennedy - Mandell, Frazier



Cor. Stone is 28.60'

Lt of Sta 948+57.7

S.E. Cor 35

FOUND & RE-SET
By I.D.O.T.
JOHN GARDNER
JULY 25, 1985