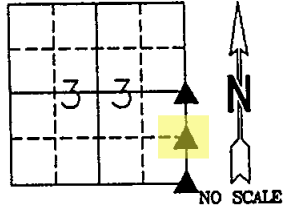


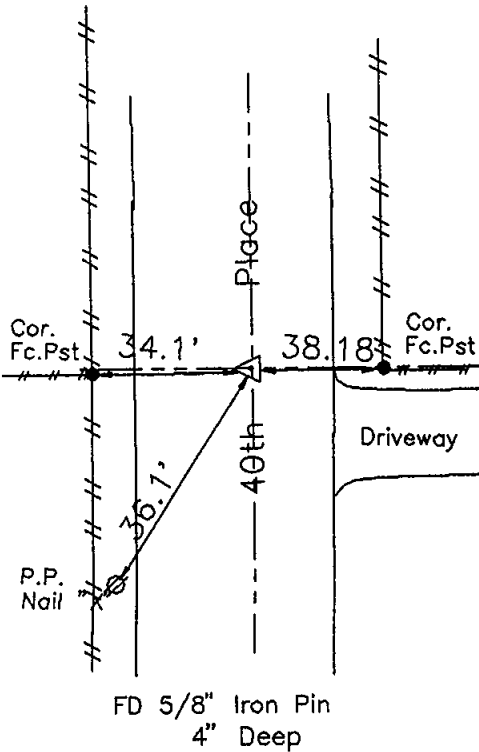
UNITED STATES PUBLIC LAND SURVEY CORNER CERTIFICATE OF

Land Survey Monuments situated in Section 33, Township 75 North, Range 21 West, of the Fifth Principal Meridian, Marion County, Iowa. Previously recorded in N/A in County Recorder's Office.

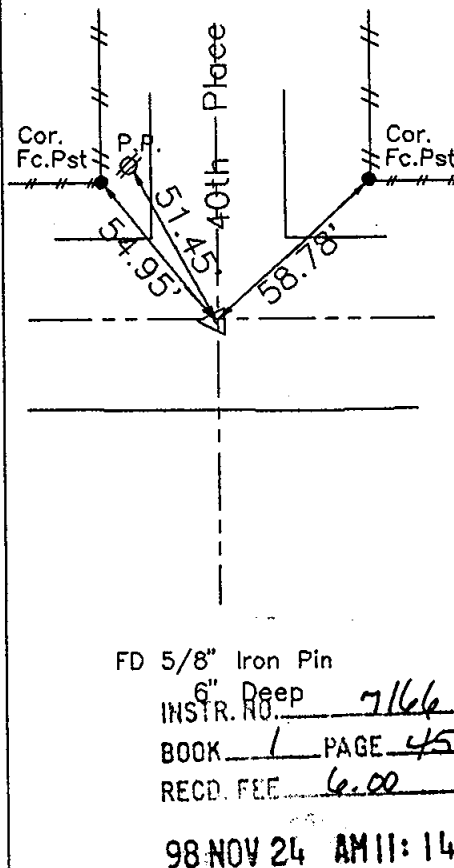
Monument Description and Remarks: Used information from
Marion County Engineer's Office



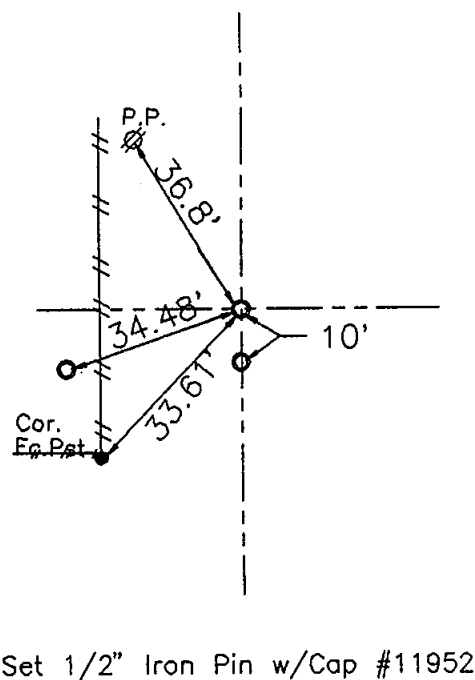
E1/4 CORNER
Sec.33-75-21



SE CORNER
Sec.33-75-21



NE Cor SE1/4 SE1/4
Sec.33-75-21



- FENCE
- FENCE POST
- ⊗ POWER POLE
- △ Found 5/8" Iron Pin
- Set 1/2" Iron Pin w/ cap #11952

TRANSFER
SANDRA S. AGAN
MARION CO. RECORDER

Note: all ties are to concrete nail with bottle cap

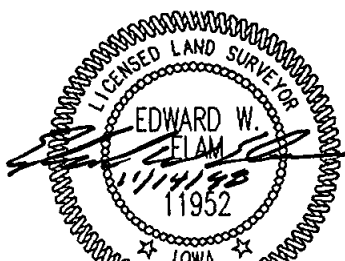
I hereby certify that the survey work was completed and this certificate was prepared by me or under my direct personal supervision and that I am a duly registered land surveyor under the laws of the state of Iowa.

Signature: Edward W. Elam

Date: November 14, 1998 Reg. No. 11952

My registration renews: December 31, 1998.

SEAL



List Corners to be Indexed			
Corners	Section	Township	Range
COR	SEC	TWNSHIP	RANGE

E1/4 CORNER	Sec.33-75-21		
NE Cor SE1/4 SE1/4	Sec.33-75-21		
SE CORNER	Sec.33-75-21		